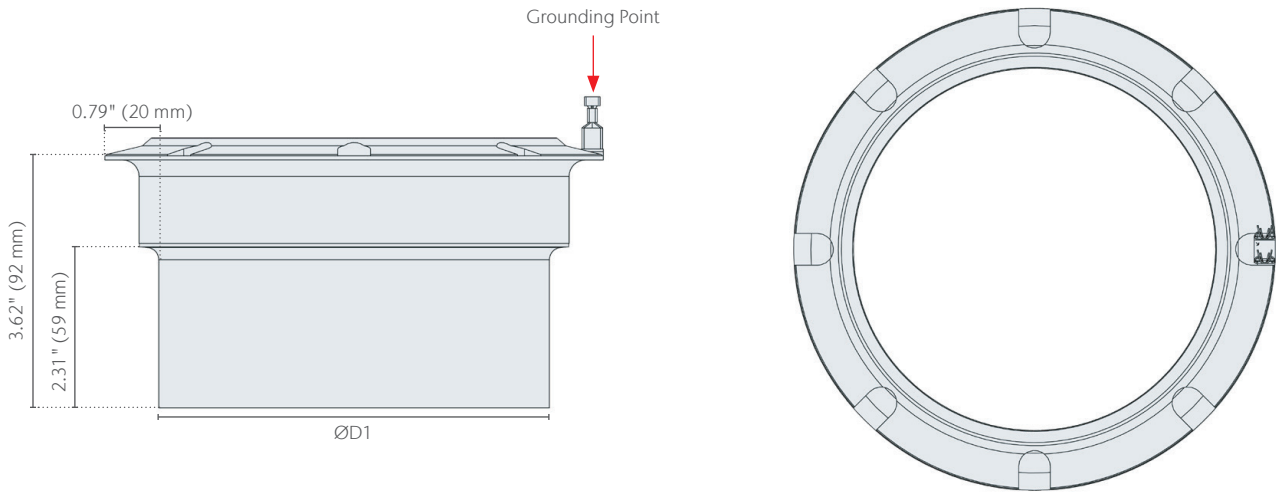


ACO FloorDrain | Hygienic Floor Drains

Tops & Bodies - Raising Piece



Product Name	Part No.	Grate Material	Weight lbs
8" Raising Piece - (D125) FloorDrain	414736	AISI 304	1.0
	414836	AISI 316L	1.0
10" Raising Piece - (D142) FloorDrain	408249	AISI 304	1.3
	408259	AISI 316L	1.3
12" Raising Piece - (D200) FloorDrain	408209	AISI 304	3.3
	408219	AISI 316L	3.3

Specification Clause

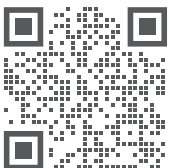
ACO FloorDrain Raising Piece. Made from AISI 304 or 316L. Used with ACO Hygienic FloorDrain Top or outlet channel and adjustable FloorDrain Body (adjustable location or mechanical clamping flange). Fully welded hygienic joints with pickled passivated finish. Used to increase the distance between the drain's outlet spigot and the adjustable body from 1.00" and 3.50". Includes friction ring. Multiple raising pieces can be stacked for increased extension.

ACO recommends checking local plumbing codes prior to installation.

ACO, Inc.

© January 2026 ACO, Inc.

All reasonable care has been taken in compiling the information in this document. All recommendations and suggestions on the use of ACO products are made without guarantee since the conditions of use are beyond the control of the company. It is the customer's responsibility to ensure that each product is fit for its intended purpose and that the actual conditions of use are suitable. ACO, Inc. reserves the right to change products and specifications without notice.



info@acousa.com
www.acousa.com

